

INSTRUCTIONS FOR USE AND ASSEMBLY



LPGSASA PERMIT NUMBER 1051-147/1-RSA-12/A

Outdoor Patio Heater

Model: 16/DK1025



WARNING

HAZARDOUS FIRE OR EXPLOSION MAY RESULT IF INSTRUCTIONS ARE IGNORED

It is the consumer's responsibility to see that the heater is properly assembled, installed, and taken care of. Failure to follow instructions in this manual could result in serious bodily injury and/or property damage

PRECAUTIONS

- Leak test all connections after each cylinder refill
- Never check for leaks with a match or open flame
- Do not store or use petrol or other flammable vapours and liquids in the vicinity of this or other any other appliance
- Any LPG cylinder not connected for use shall not be stored in the vicinity of this or any other appliance

FOR YOUR SAFETY

IF YOU SMELL GAS:

- Turn of gas supply at the cylinder.
- Extinguish all naked flames
- Do not operate any electrical appliances.
- Ventilate the area.
- Check for leaks as detailed in this manual
- If odour persists, contact your dealer or gas supplier immediately.

For Outdoor Use Only

Important: Read these instructions for use carefully so as to familiarise yourself with the appliance before connecting it to its gas container. It is also important to follow the assembly instructions. Keep these instructions for future reference

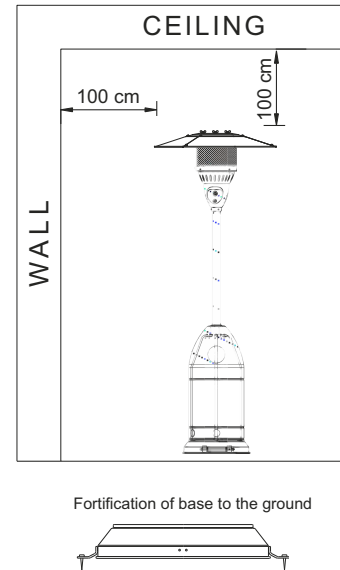
CAUTION

PLEASE READ THE FOLLOWING SAFETY GUIDELINES BEFORE OPERATION

- Do not use the patio heater indoor, as it may cause personal injury or property damage.
- This outdoor heater is not intended to be installed on recreational vehicles and/or boats.
- Installation and services should only be done by a qualified service person.
- Improper installation, adjustment, alteration can cause personal injury or property damage.
- Do not attempt to alter the unit in any manner.
- Never replace or substitute the regulator with any regulator other than the factory recommended replacement.
- Do not store or use petrol or other flammable vapours with, in, or near the heater.
- The complete gas system and all connections should be inspected for leaks before use, and at least annually by a qualified service technician.
- All leak tests should be done with a soapy water solution. If there is a leak then bubble will form at that point. Never use an open flame to check for gas leaks.
- Do not use the heater until all connections have been leak tested.
- If you smell gas, turn off the gas supply at the cylinder and check all connections for leaks using a soapy water solution. Tighten the leaking connection and then recheck again with a soapy water solution. If you cannot find the source of the leak, call a qualified service technician and do not use the appliance until it has been declared safe to do so.
- Do not move or transport the heater whilst it is operating.
- Do not touch or move the heater after it has been turned off until it has cooled down.
- Do not cover up the ventilation opening in the cylinder compartment.
- Do not paint the radiant screen, control panel or top canopy reflector.
- Control compartment, burner and circulation air passageways must be kept clean.
- Frequent cleaning may be necessary as required.
- The LPG Cylinder should be turned off when the heater is not in use.
- Check the heater immediately if any of the following occurs:
 - The heater does not reach temperature.
 - The burner makes popping noises during operation (a slight noise is normal when the heater is extinguished).
 - A smell of gas in conjunction with yellow tipping of flames.
- Any guard or other protective device removed for servicing must be replaced before using the heater.
- Adults and children should stay away from high temperature areas of the heater to avoid burns or clothing igniting.
- Children should be carefully supervised when near the heater.
- Always change the cylinder in well ventilated areas and away from any sources of ignition e.g. open flames.
- Check that the regulator seal is in place and in good condition whenever the cylinder is changed.
- Never obstruct or cover the ventilation apertures in the cylinder housing.
- Always close the cylinder control valve when the heater is not in use.
- In the event of a gas leakage do not use the heater. Call a qualified service technician to examine the heater before using the heater.
- Check the condition of the flexible gas hose at least once per year for signs of cracking, bulging, splitting or other signs of deterioration. Replace if necessary.
- In the event of a burn-back, where the flame burns back to the jet, immediately turn off the gas supply at the control valve on the panel. After ensuring the flame is extinguished, re-light the appliance in the normal manner. Should the appliance again burn back, close the control valve and call a service technician. Do not use the appliance again until the service technician has declared that it is safe to do so.

HEATER STAND AND LOCATION

- The heater is for outdoor use only. Always ensure that adequate fresh air ventilation is provided.
- Always maintain proper clearance to combustible materials, i.e. top 100 cm and sides 100 cm minimum.
- Heater must be placed on level firm ground.
- Never operate heater in an explosive atmosphere like in areas where petrol or other flammable liquids or vapours are stored.
- To protect heater from strong wind, anchor the base securely to the ground with screws.



GAS REQUIREMENTS

- Use a 9 kg LPG cylinder only
- The hose must comply with the requirements of SANS 1156-2 or BS 2312
- A dented, rusted or damaged LPG cylinder may be hazardous and should not be used
- Never use a cylinder with a damaged valve connection
- The cylinder valve must have a horizontal outlet with a G5/8 left hand thread to suit the regulator
- Never connect the cylinder directly to the heater . A regulator must always be used
- The regulator must comply with the requirements of SANS 1237.

LEAKAGE TEST

- Gas connections on the heater are leak tested at the factory prior to shipment. A complete gas tightness check must be performed at the installation site due to possible mishandling in shipment or excessive pressure being applied to the heater.
- Make a soap solution of one part liquid detergent and one part water. The soap solution can be applied with a spray bottle, brush or rag. Soap bubbles will appear in case of a leak.
- The heater must be checked with a full cylinder.
- Make sure the safety control valve is in the OFF position.
- Turn the gas supply ON.
- In case of a leak, turn off the gas supply. Tighten any leaking fittings, then turn the gas supply on and re-check.
- Never leak test while smoking.

OPERATION AND STORAGE

TO TURN ON THE HEATER

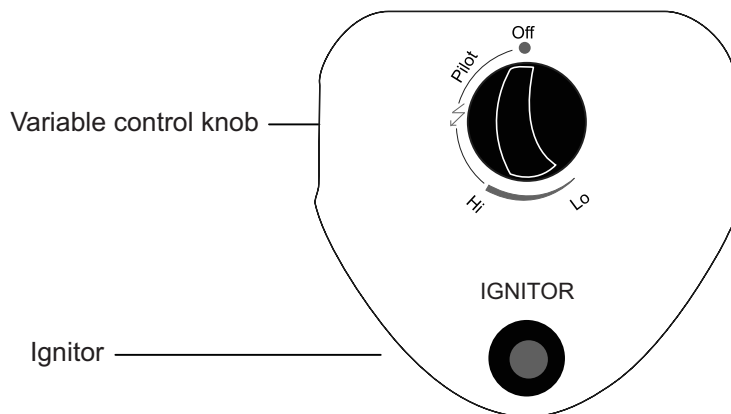
1. Open the Cylinder control valve
2. Press and turn the variable control knob to PILOT position (anti clockwise 90°)
3. Press down the variable control knob and hold for 30 seconds. Whilst holding down the variable control knob, press the ignitor button several times until the pilot flame lights. Release the variable control knob after the pilot flame lights.

Note:

- If a new cylinder has been connected, please allow 1 at least minute for the air in the gas pipeline to purge out through the pilot hole.
 - When lighting the plot flame make sure that the variable control knob is continuously pressed down while pressing the ignitor button. The variable control knob can be released after the pilot flame lights.
 - The pilot flame can be seen and checked from the small round window with a sliding cover located at the bottom of the flame screen (to the left or right side of the controller).
 - If the pilot flame does not light or it goes out, repeat step 3.
4. After the pilot flame lights, turn the variable control knob to maximum and leave it there for 5 mins. or more before turning the knob to the desired temperature position.

TO TURN OFF THE HEATER

1. Turn the variable control knob to the Pilot position.
2. Press and turn the variable control knob to the OFF position.



3. Close the valve on the LPG cylinder.

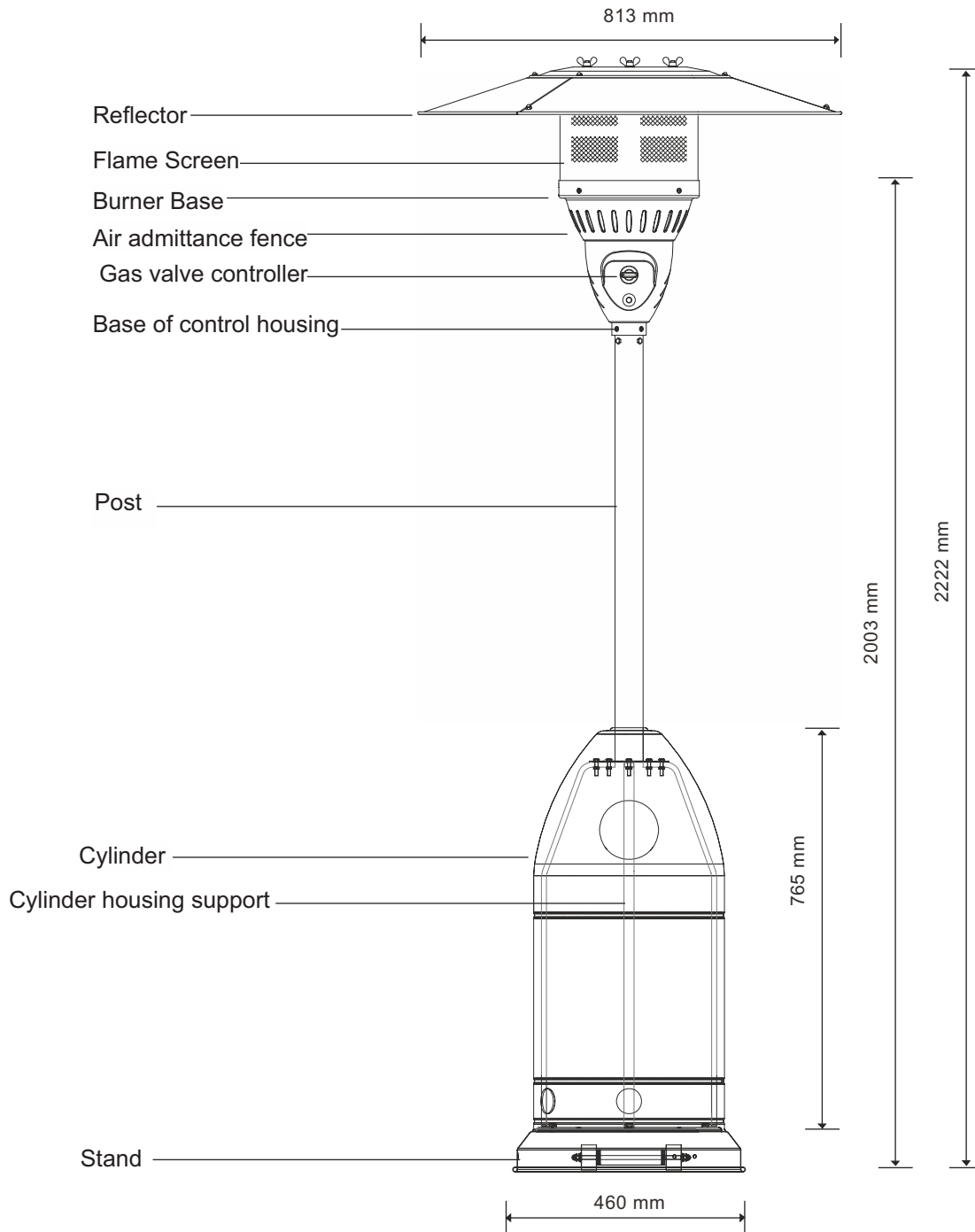
Storage

1. Always close the cylinder control valve after use.
2. Remove the regulator and hose assembly
3. Store the cylinder in a clean dry place outside of and enclosed space. Never store the cylinder in a basement area or below ground level.

CLEANING AND CARE

- Wipe off powder coated surfaces with soft, moist rag. Do not clean heater with cleaners that are combustible or corrosive.
- Remove debris from the burner to keep it clean and safe for use.
- Cover the burner unit with the optional protective cover when the heater is not in use.

PARTS AND SPECIFICATIONS



ASSEMBLY PARTS

Tools needed:

- Open end wrench 10 & 13 mm
- Adjustable opening wrench (2) 20 cm long
- Slip joint pliers 23 cm long
- Philips screwdriver w/ medium blade
- Spray bottle of soap solution for leakage test

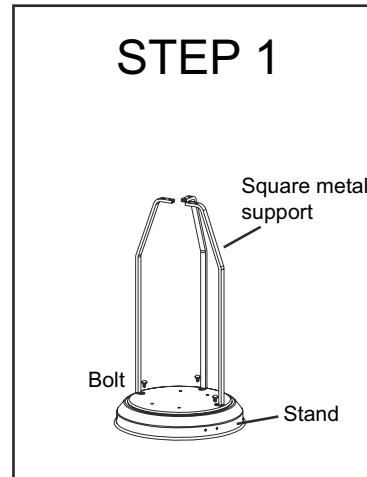
Parts supplied:

- Stand with LPG cylinder housing and 3 post brackets.
- 9 Cup Nuts (M6 mm), 9 Small Screws (M6 x 10 mm), 9 Small Flat Washers (Ø 6 mm) for Reflector Assembly.
- 6 Large Bolts and Flange Nuts (M6) for Support Legs/Main Pole Assembly.
- 3 Medium Bolts (M8 x 15 mm) for Support Legs/Stand Assembly.
- 3 Reflector Spacers and Wing Nuts, 9 Large Flat Washers for Reflector and burner Assembly.
- 3 pcs ground fixer
- 6 pcs M6 x 10 mm ground fixer bolts & nuts

ASSEMBLY PROCEDURES

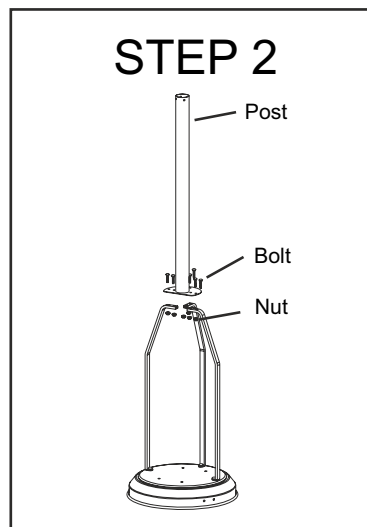
STEP 1

- 1-1. Put the 3 pcs post brackets on each position on the base as shown in the picture.
- 1-2. Use 3 Medium Bolts(M8x15) to join the post brackets and stand.



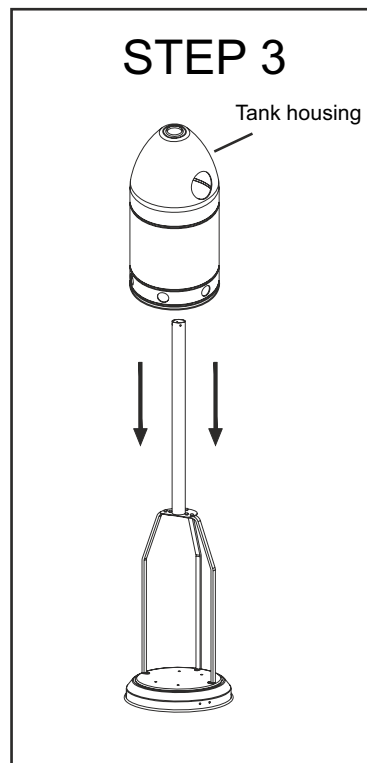
STEP 2

- 2-1. Put the post on the top of 3 pcs post brackets.
- 2-2. Use 6 Large Bolts and Flange Nuts (M6) to connect the post to the 3 pcs post brackets. Tighten the bolts and nuts.



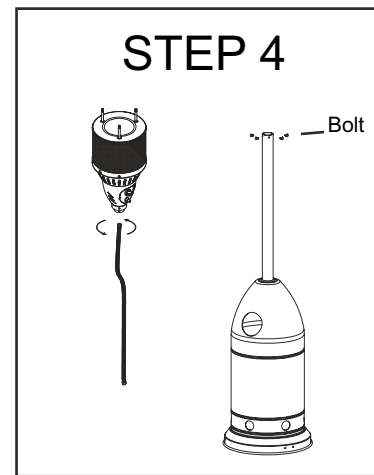
STEP 3

- Place the tank housing on the stand.



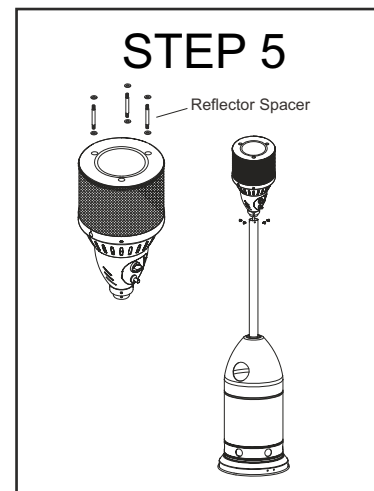
STEP 4

- 4-1. Remove the 4 bolts from the burner.
- 4-2. Put the gas hose through into the post.
- 4-3. Fix the burner unit to the post by the 4 bolts.



STEP 5

- 5-1. Check whether the connection of vertical post and burner are assembled according to instructions, and all bolts and nuts are tightened.
- 5-2. Put 6 pcs Large Flat Washers on 3 Reflector Spacers.



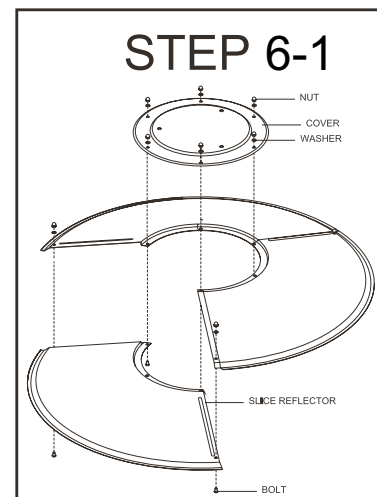
STEP 6-1

4 SLICES ALU.REFLECTOR INSTALLATION

Warning: remove protective cover before assemble.

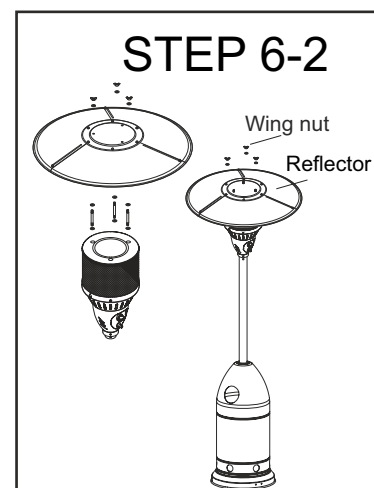
parts:

- | | |
|-------------------|-------|
| 1.cover | 1 pc |
| 2.slice reflector | 3 pcs |
| 3.nut | 9 pcs |
| 4.bolt | 9 pcs |
| 5.washer | 9 pcs |



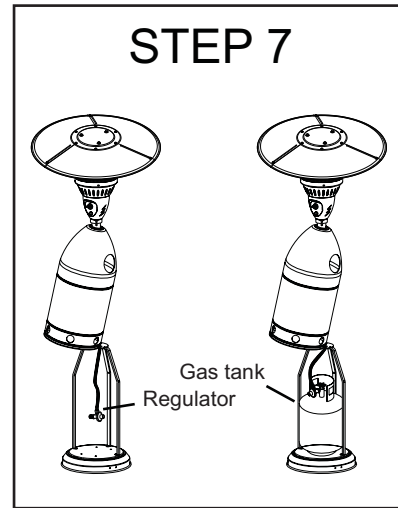
STEP 6-2

Fasten the reflector with 3 pcs Large Flat Washers and 3 pcs Wing Nuts.



STEP 7

- 7-1. Bring up the cylinder housing and rest it on the post plate.
- 7-2. Connect the regulator to the gas tank and tighten it with adjustable wrench.
- 7-3. Connect the end thread of inlet gas hose to the regulator.
- 7-4. Put LPG cylinder on the stand.



Technical Specifications

Name	TOTAL
Model	16/DK1025
Heat Output	13.0 KW
Gas Types	LPG
Injector Size	Ø 1.90mm x 1
Operating Pressure	2.8 kPa
Gas Consumption (at Max)	940 g/h

NOTE:

GAS-PRESSURE REGULATOR—This appliance is designed to operate on a gas pressure of 2,8 kPa. A suitable bullnose regulator that complies with the requirements of SANS 1237 must be used with this appliance

TAMPERING:

Under no circumstances are you allowed to tamper with the jet sizes or modify anything on the appliance. Not only is it dangerous , it will also nullify your warranty

FOR OUTDOOR USE ONLY

Specifications are subject to change without prior notice

Troubleshooting

PROBLEM	PROBABLE CAUSE	SOLUTION
Pilot will not light	Gas valve may be OFF	Turn the gas valve ON
	LPG cylinder empty	Refill LPG cylinder
	Orifice blocked	Clean or replace Orifice
	Air in supply system	Purge air from lines
	Loose connection	Check all fittings
Pilot will not stay on	Debris around pilot	Clean dirty area
	Loose connection	Tighten connection .
	Thermocouple bad	Replace Thermocouple
	Gas leak in line	Check connections
	Lack of gas pressure	LPG cylinder is near empty
Burner will not light	Gas pressure is low	LPG cylinder is near empty
	Orifice blocked	Remove, clean and replace
	Control knob not ON	Turn knob to ON .
	Thermocouple bad	Replace Thermocouple
	Pilot light assembly bent or not in correct location .	Place pilot light in correct position and retry

Repairs to the patio heater may only be carried out by a qualified technician