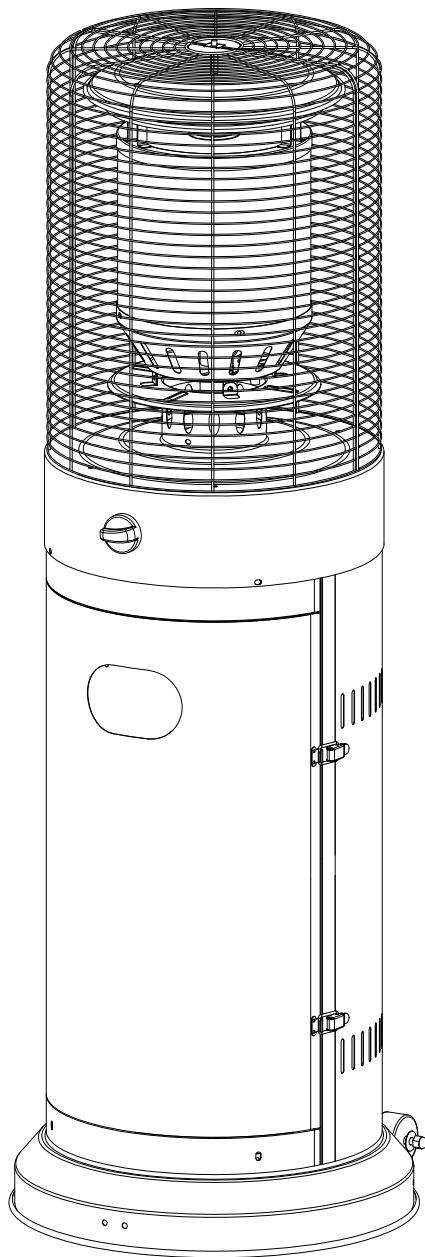


Outdoor Patio Heater

Instructions for use and assembly

Model: 16/DK1027



WARNING

HAZARDOUS FIRE OR EXPLOSION MAY RESULT IF INSTRUCTIONS ARE IGNORED

It is the consumer's responsibility to see that the heater is properly assembled, installed, and taken care of. Failure to follow instructions in this manual could result in serious bodily injury

PRECAUTIONS

- Leak test all connections after each cylinder refill
- Never check for leaks with a match or open flame
- Do not store or use petrol or other flammable vapours and liquids in the vicinity of this or other any other appliance
- Any LPG cylinder not connected for use shall not be stored in the vicinity of this or any other appliance

FOR YOUR SAFETY

IF YOU SMELL GAS:

- Turn of gas supply at the cylinder.
- Extinguish all naked flames
- Do not operate any electrical appliances.
- Ventilate the area.
- Check for leaks as detailed in this manual
- If odour persists, contact your dealer or gas supplier immediately.

For Outdoor Use Only

Important: Read these instructions for use carefully and retain them for future reference. It is also important to follow the assembly instructions.

PLEASE READ THE FOLLOWING SAFETY GUIDELINES BEFORE OPERATION

- Do not use the patio heater indoors, as it may cause personal injury or property damage.
- This outdoor heater is not intended to be installed on recreational vehicles and/or boats.
- Installation and services should only be done by a qualified service person.
- Improper installation, adjustment, alteration can cause personal injury or property damage.
- Do not attempt to alter the unit in any manner as to do so may make it unsafe.
- Never replace or substitute the regulator with any regulator other than the factory recommended replacement.
- Do not store or use petrol or other flammable liquids or vapours with, in, or near the heater.
- The complete gas system and all connections should be inspected for leaks before use, and at least annually by a qualified service technician.
- All leak tests should be done with a soapy water solution. If there is a leak then bubbles will form at that point. Never use an open flame to check for gas leaks.
- Do not use the heater until all connections have been leak tested.
- If you smell gas, turn off the gas supply at the cylinder and check all connections for leaks using a soapy water solution. Tighten the leaking connection and then recheck again with a soapy water solution. If you cannot find the source of the leak, call a qualified service technician and do not use the appliance until it has been declared safe to do so.
- Do not move or transport the heater and the table or bench on which it stands whilst it is operating.
- Do not touch or move the heater after it has been turned off until it has cooled down.
- Do not paint the radiant screen, control panel or top canopy reflector.
- The control compartment, burner and circulation air passageways must be kept clean.
- Frequent cleaning may be necessary as required.
- Check the heater immediately if any of the following occurs:
 - The heater does not reach temperature.
 - The burner makes popping noises during operation (a slight noise is normal when the heater is extinguished).
 - A smell of gas in conjunction with yellow tipping of flames.
- Any guard or other protective device removed for servicing must be replaced before using the heater.
- Adults and children should stay away from high temperature areas of the heater to avoid burns or clothing igniting.
- Children should be carefully supervised when near the heater.
- Always change the cylinder in well ventilated areas and away from any sources of ignition e.g. open flames.
- Check that the regulator seal is in place and in good condition whenever the cylinder is changed.
- Always close the cylinder control valve when the heater is not in use.
- In the event of a gas leakage do not use the heater. Call a qualified service technician to examine the heater before using the heater.
- Check the condition of the flexible gas hose at least once per year for signs of cracking, bulging, splitting or other signs of deterioration. Replace if necessary.
- In the event of a burn-back, where the flame burns back to the jet, immediately turn off the gas supply at the control valve on the panel. After ensuring the flame is extinguished, re-light the appliance in the normal manner. Should the appliance again burn back, close the control valve and call a service technician. Do not use the appliance again until the service technician has declared that it is safe to do so.

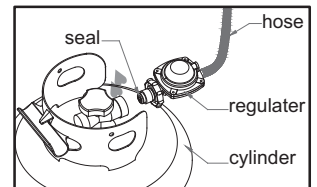
TABLE OF CONTENTS

Caution	1
Heater Stand and Location	2
Gas Requirements	2
Leakage Test	2
Operation and Storage	3
Cleaning and Care	4
Parts and Specifications	4
Assembly Parts and Procedures	6
Problems Check List	11

CAUTION

PLEASE READ CAREFULLY THE FOLLOWING SAFETY GUIDELINES BEFORE OPERATION.

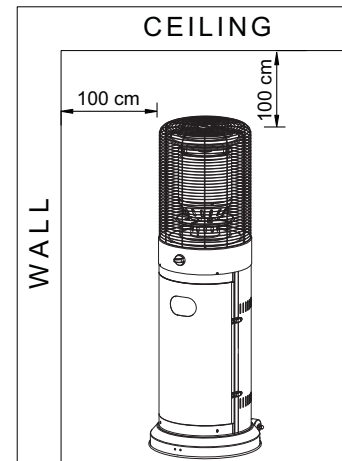
- Do not use the patio heater for indoors, as it may cause personal injury or property damage.
- This outdoor heater is not intended to be installed on recreational vehicles and/or boats.
- Installation and repair should be done by a qualified service person.
- Improper installation, adjustment, alteration can cause personal injury or property damage.
- Do not attempt to alter the unit in any manner.
- Never replace or substitute the regulator with any regulator other than the factory-suggested replacement.
- Do not store or use gasoline or other flammable vapors or liquids in the heater unit.
- The whole gas system, hose, regulator, pilot or burner should be inspected for leaks or damage before use, and at least annually by a qualified service person.
- All leak tests should be done with a soap solution. Never use an open flame to check for leaks.
- Do not use the heater until all connections have been leak tested.
- Turn off the gas valve immediately if smell of gas is detected. Turn Cylinder Valve OFF. If leak is at Hose/Regulator connection: tighten connection and perform another leak test. If bubbles continue appearing should be returned to hose's place of purchase. If leak is at Regulator/Cylinder Valve connection: disconnect, reconnect, and perform another leak check. If you continue to see bubbles after several attempts, cylinder valve is defective and should be returned to cylinder's place of purchase.
- Do not transport heater while it's operating.
- Do not move the heater after it has been turned off until the temperature has cooled down.
- Keep the ventilation opening of the cylinder enclosure free and clear of debris.
- Do not paint the radiant screen, control panel or top canopy reflector.
- Control compartment, burner and circulation air passageways of the heater must be kept clean. Frequent cleaning may be required as necessary.
- The LP tank should be turned off when the heater is not in use.
- Check the heater immediately if any of the following occurs:
 - The heater does not reach temperature.
 - The burner makes popping noise during use (a slight noise is normal when the burner is extinguished).
 - Smell of gas in conjunction with extreme yellow tipping of the burner flames.
- The LP regulator/hose assembly must be located out of pathways where people may trip over it or in area where the hose will not be subject to accidental damage.
- Any guard or other protective device removed for servicing the heater must be replaced before operating the heater.
- Adults and children should stay away from high temperature surface to avoid burns or clothing ignition.
- Children should be carefully supervised when they are in the area of the heater.
- Clothing or other flammable materials should not be hung on the heater or placed on or near the heater.
- To change the gas cylinder in a amply ventilated area, away from any ignition source (candle, cigarettes, other flame producing appliances, ...);
- To check that the regulator seal is correctly fitted and able to fulfill its function showed as photo right;
- To not obstruct the ventilation holes of the cylinder housing;
- To close the gas supply at the valve of the gas cylinder or the regulator after use;
- In the event of gas leakage, the appliance shall not be used or if alight, the gas supply shall be shut off and the appliance shall be investigated and rectified before it is used again;
- To check the hose at least once per month , each time the cylinder is changed, or each time before long time no use. If it shows signs of cracking, splitting or other deterioration it shall be exchanged for new hose of the same length and of the equivalent quality;
- The use of this appliance in enclosed areas can be dangerous and is PROHIBITED;
- Read the instructions before using this appliance. The appliance must be installed in accordance with the instructions and local regulations.
- For connection of hose and regulator, and connection of regulator and hose, please refer to photo showed above.



Hose/ Regulator connection and
Regulator / Cylinder connection

HEATER STAND AND LOCATION

- The heater is for outdoor use only. Always ensure that adequate fresh air ventilation is provided.
- Always maintain proper clearance to combustibles materials, i.e. top 100 cm and sides 100 cm minimum.
- The heater must be placed on firm level ground
- Never operate heater in areas where petrol or other flammable liquids or vapours are stored.



GAS REQUIREMENTS

- Use a 9 kg LPG cylinder only.
- The hose must comply with the requirements of SANS 1156-2 or BS 2312.
- A dented, rusted or damaged LPG cylinder may be hazardous and should not be used.
- Never use a cylinder with a damaged valve connection.
- The cylinder valve must have a horizontal outlet with a G5/8 left hand thread to suit the regulator.
- Never connect the cylinder directly to the heater. A regulator must always be used.
- The regulator must comply with the requirements of SANS 1237 and must have a G3/8 right hand threaded connector.
- Make sure the rubber seal on the regulator connector is in place and in good condition before connecting the regulator to the cylinder valve.

LEAKAGE TEST

- Gas connections on the heater are leak tested at the factory prior to shipment. A complete gas tightness check must be performed at the installation site due to possible mishandling in shipment or excessive pressure being applied to the heater.
- Make a soap solution of one part liquid detergent and one part water. The soap solution can be applied with a spray bottle, brush or rag. Soap bubbles will appear in case of a leak.
- The heater must be checked with a full cylinder.
- Make sure the safety control valve on the appliance is in the OFF position.
- Connect the regulator with the gas hose secured to the regulator outlet and to the gas inlet on the appliance to the cylinder valve.
- Turn the gas supply ON by opening the cylinder valve.
- Check for leaks by brushing or spraying the soapy solution over the connection joints
- In case of a leak, turn off the gas supply by closing the cylinder valve. Tighten any leaking connections, then turn the gas supply on and re-check.
- Never leak test while smoking.
- If unable to prevent a leak, call a service technician to examine the appliance and do not use it until the technician has declared it safe to do so

OPERATION AND STORAGE

TO TURN ON THE HEATER

1. Open the cylinder valve after checking that the connections are all tight and that there are no gas leaks
2. Press in and then turn the appliance control valve knob in an anti clockwise direction to the Pilot position
3. With the appliance control valve in the Pilot position continue to press the control valve knob in and whilst doing so press the ignitor button several times until the Pilot burner ignites. Once the pilot burner has ignited release the control knob

Note:

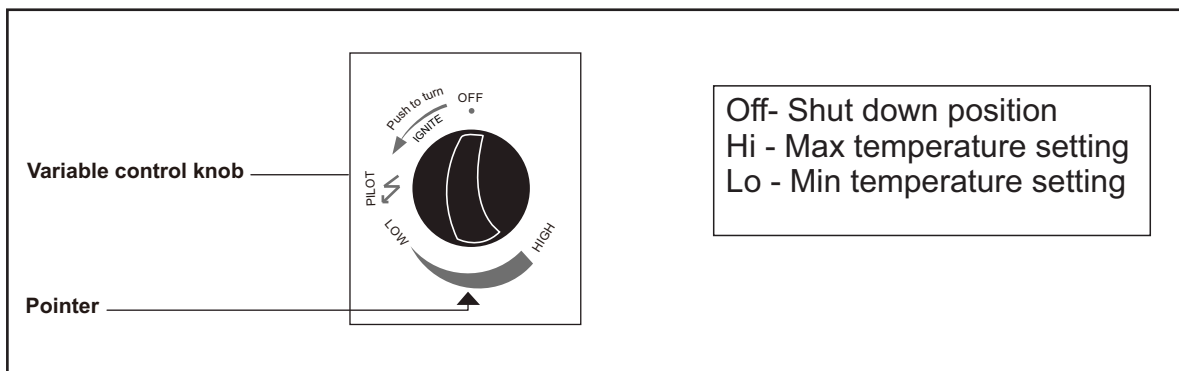
If a new cylinder has been fitted it may take a minute for the air in the hose to be cleared before the pilot burner ignites.

If the pilot burner does not ignite repeat Step 3

4. After the Pilot Burner ignites turn the appliance control valve to the full position and leave it at that setting for 5 minutes before turning the knob to the desired heat setting

TO TURN OFF THE HEATER

1. Press and turn the appliance control knob to the Off position
2. Close the cylinder valve

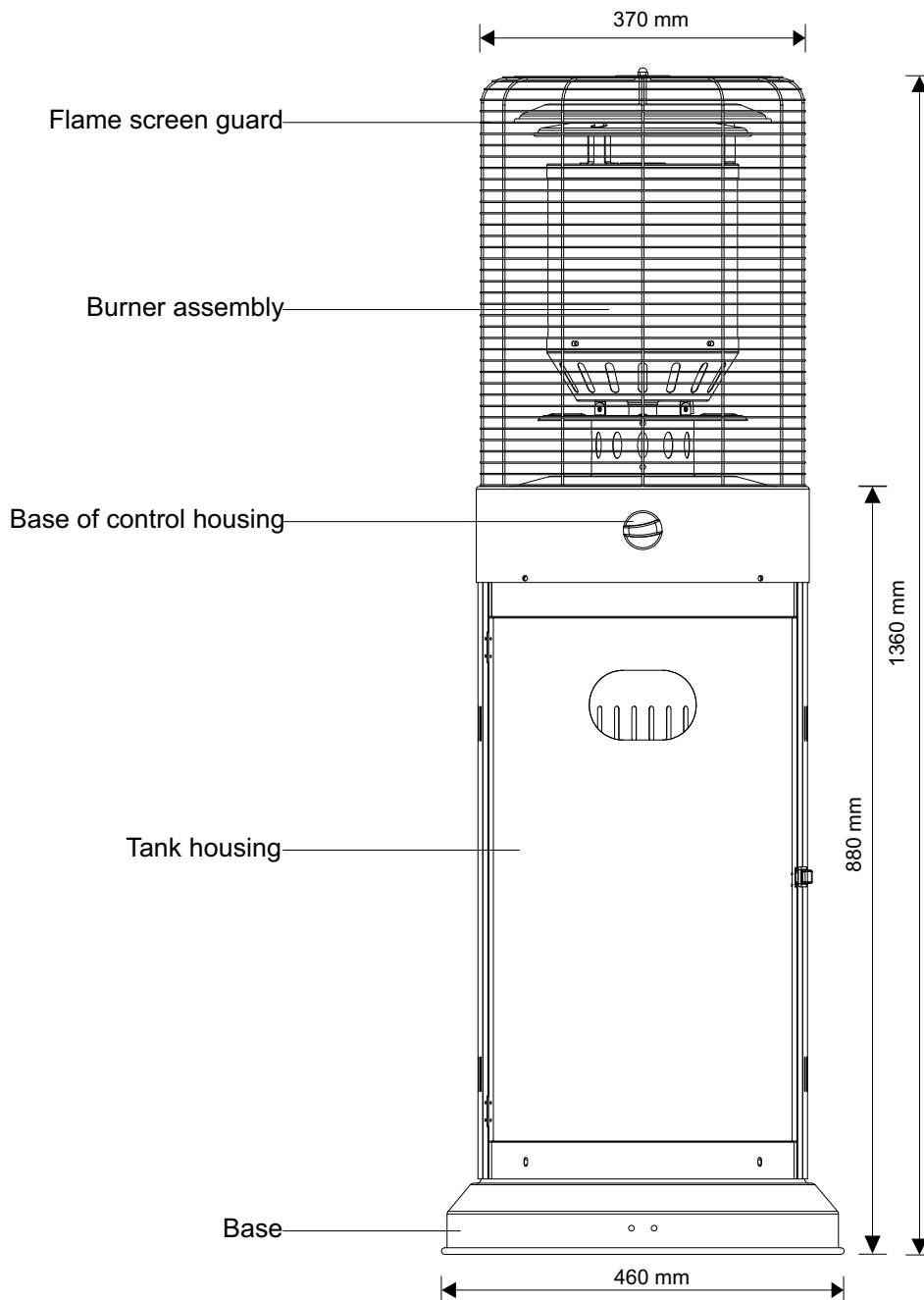


1. Always close the cylinder valve when the heater is not in use, or if the heater malfunctions when in use, or if there is a gas leak.
2. Store the cylinder in cool dry well ventilated place away from any other flammable materials
3. Protect the heater from damage by covering it when not in use.

CLEANING AND CARE

- Wipe off powder coated surfaces with soft, moist rag. Do not clean heater with cleaners that are combustible or corrosive.
- Remove debris from the burner to keep it clean and safe for use.
- Cover the burner unit with the optional protective cover when the heater is not in use.

PARTS AND SPECIFICATIONS

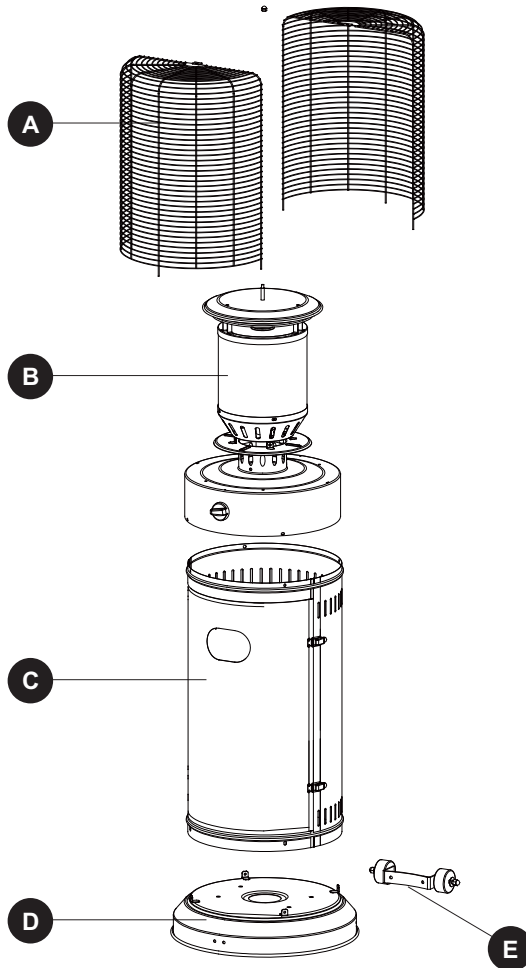



ASSEMBLY PARTS

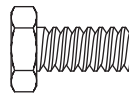
Tools needed:

- Philips screwdriver with medium blade
- Spray bottle of soap solution for leakage test

Parts List:



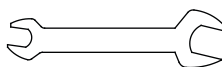
AA 
M8
Flange
nut
Qty. 2

BB 
Bolt M8 X 15
Qty. 2

CC 
Screw M5 X 8
Qty. 8

DD 
M6 Dome Nut
Qty. 1

EE 
Philips
screwdriver
Qty. 1


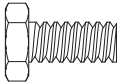
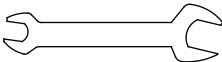
FF 
Wrench
Qty. 1

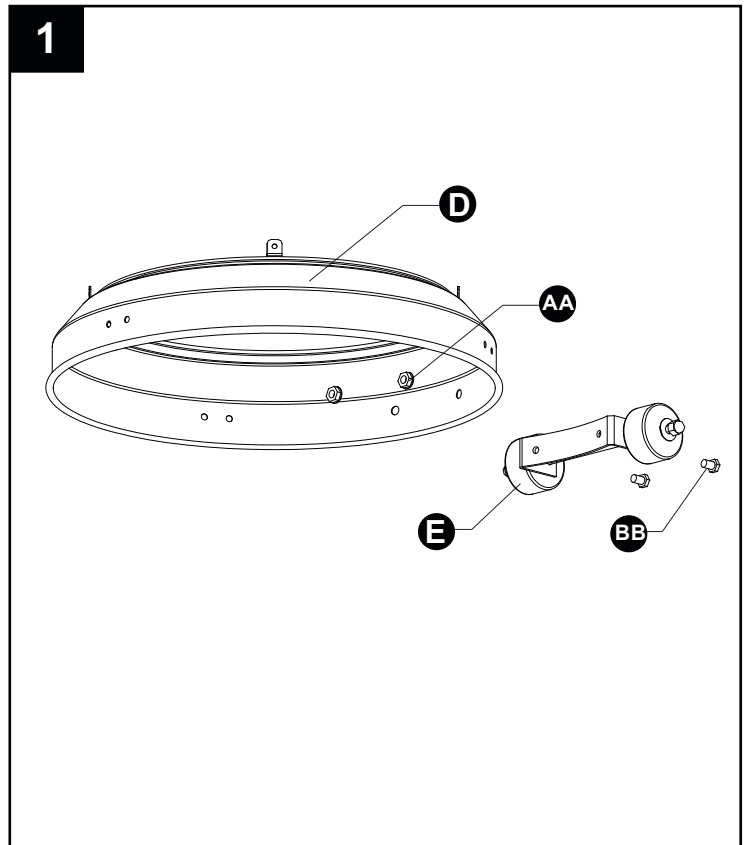
PART	DESCRIPTION	QUANTITY
A	Flame screen guard	1
B	Burner assembly	1
C	Cylinder Housing	1
D	Base	1
E	Wheel	1

ASSEMBLY PROCEDURES

1. Use 2 pcs M8x15mm bolts and M 8 nuts to connect bracket with wheel to the base

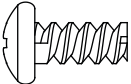
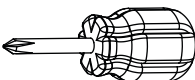
Hardware Used

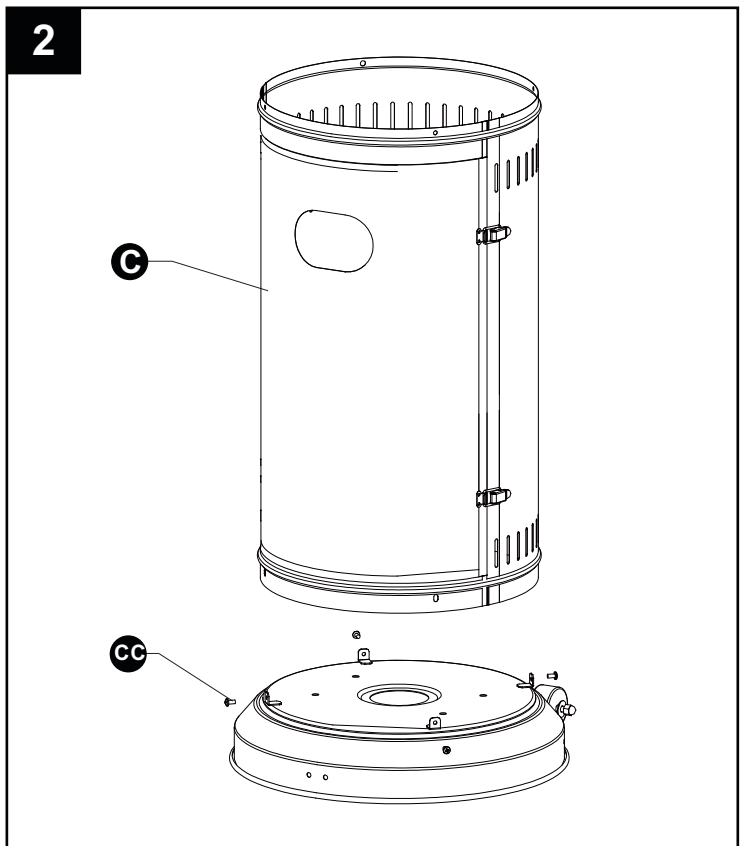
- | | | | |
|-----------|------------------|---|-----|
| AA | M8 Flange Nut |  | x 2 |
| BB | M8 x 15 mm Bolts |  | x 2 |
| FF | Wrench |  | x 1 |



2. Use 4 pcs M5x8mm screws nuts to join the cylinder housing to the base

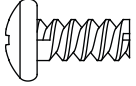
Hardware Used

- | | | | |
|-----------|---------------------|---|-----|
| CC | Screw M5 X 8 |  | x 4 |
| EE | Philips screwdriver |  | x 1 |

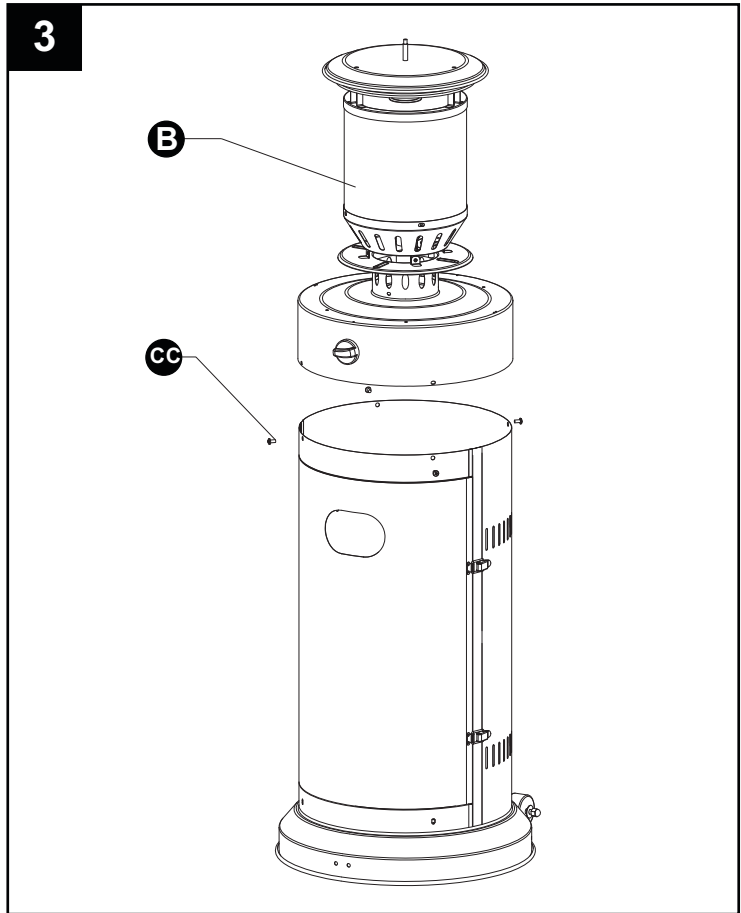


3. Use 4 pcs M5x8mm screw to join the burner head and cylinder housing body

Hardware Used


CC Screw M5 X 8  x 4

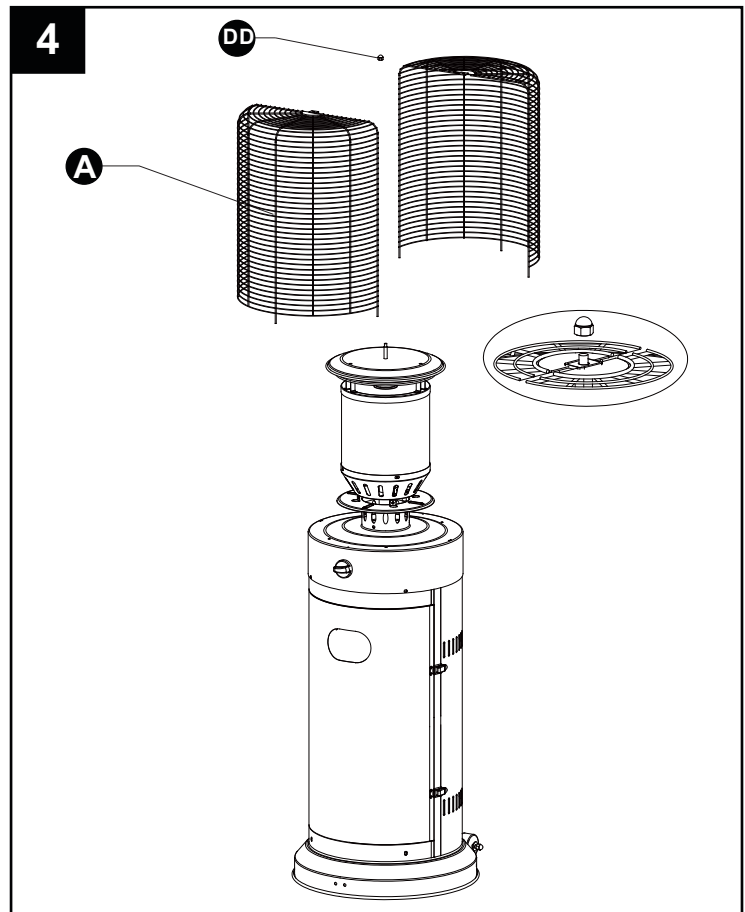
EE Philips screwdriver  x 1



4. Use the M6 Dome Nut to connect the two half safety guards to the burner head

Hardware Used

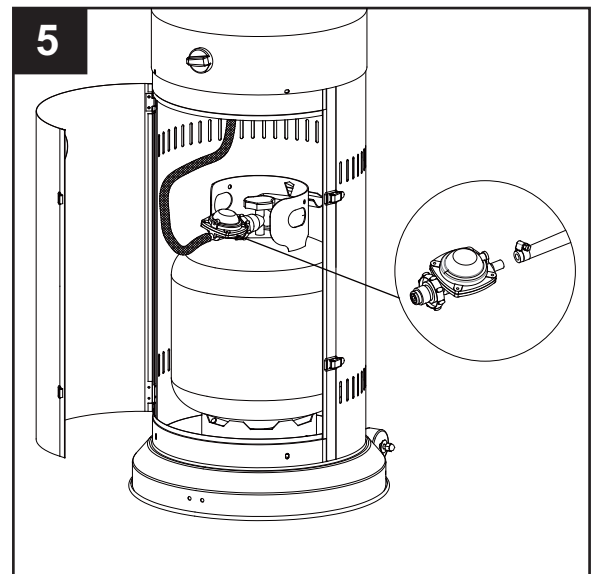
DD M6 Dome Nut  x 1



- 5.1 Open the door of the cylinder cabinet.
- 5.2 Attach the hose and regulator assembly to the gas inlet located inside the cylinder cabinet and hand tighten, then use a spanner to turn the nut a further half turn.
- 5.3. Place the cylinder inside the cylinder cabinet that turn it so that the cylinder valve is facing the opening
- 5.4 Attach the regulator to the gas cylinder valve and hand tighten. Do not use a spanner on this connection



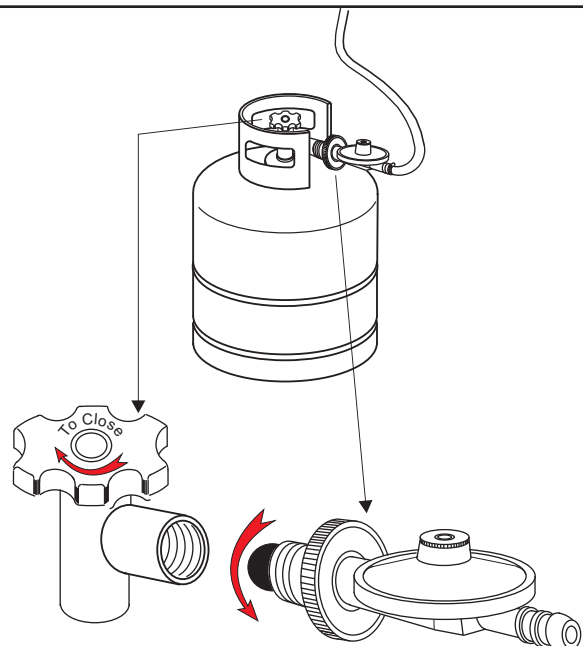
Ensure the hose does not contact any high temperature surfaces or it may melt and cause a gas leak which could result in a fire



REGULATOR CONNECTION

SAFE CONNECTING INSTRUCTIONS

- Before connecting the LPG regulator to the gas cylinder ensure that the rubber seal on the end of the regulator is in place and is in good condition.
- The cylinder valve thread is a left hand thread and the regulator handwheel must be turned in an anti clockwise direction (when facing the cylinder valve thread opening) to engage the regulator thread correctly into the cylinder valve.**
- Always make sure that the regulator is fully engaged with the cylinder valve threads and that the handwheel is tight. Hand tighten only. Do not use excessive force.
- When connecting the cylinder always check for leaks by opening the cylinder valve and then apply a soapy water solution to the joint between the cylinder valve and the regulator.
- If you find a leak, close the cylinder valve and contact an authorised LP gas dealer
- When using the heater do not fully open the cylinder valve. Only open it 1½ turns to prevent the possible jamming of the cylinder valve in its open position.
- **NEVER UNSCREW THE REGULATOR FROM THE CYLINDER VALVE WHILST THE CYLINDER VALVE IS OPEN OR IF THE HEATER IS ALIGHT**



To close the cylinder valve turn the control knob fully in the direction of the arrow

To engage and tighten the Regulator, turn the handwheel in the direction of the arrow

PROBLEMS CHECK LIST

PROBLEM	PROBABLE CAUSE	SOLUTION
Pilot will not light	Gas valve may be OFF	Turn the gas valve ON
	LPG cylinder empty	Refill LPG cylinder
	Orifice blocked	Clean or replace Orifice
	Air in supply system	Purge air from lines
	Loose connection	Check all fittings
Pilot will not stay on	Debris around pilot	Clean dirty area
	Loose connection	Tighten connection .
	Thermocouple bad	Replace Thermocouple
	Gas leak in line	Check connections
	Lack of gas pressure	LPG cylinder is near empty
Burner will not light	Gas pressure is low	LPG cylinder is near empty
	Orifice blocked	Remove, clean and replace
	Control knob not ON	Turn knob to ON .
	Thermocouple bad	Replace Thermocouple
	Pilot light assembly bent or not in correct location .	Place pilot light in correct position and retry

Repairs to the patio heater may only be carried out by a qualified technician

TECHNICAL SPECIFICATIONS

Name	Specification
Model number	16/DK1027
Heat Output	11,0 kw
Gas Type	LPG
Jet sizes	Main burner 1,51 mm Pilot burner 0,22 mm
Operating Pressure	2,8 kPa
Gas consumption (max.)	750 g/h

NOTE:

GAS-PRESSURE REGULATOR—This appliance is designed to operate on a gas pressure of 2,8 kPa. A suitable regulator that complies with the requirements of SANS 1237 must be used with this appliance

TAMPERING:

Under no circumstances are you allowed to tamper with the jet sizes or modify anything on the appliance. Not only is it dangerous , it will also nullify your warranty